

# Kartell



Flip Antonio Citterio with Toan Nguyen






# Technical sheet

A new folding trolley joins the Kartell collection: Flip, which successfully combines plastic trays with a metal frame. The trays are made from PMMA lenticular sheet, constituting the utmost expression of practicality and sophisticated design. Flip can be used as a trolley, ideal for aperitifs and buffets, but also as a handy coffee table (the trays are independent). When folded up it occupies a very small space, making it easy to store.



**4465**

## Transparent

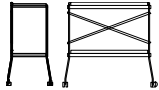
B4/crystal	
E3/orange	
E4/blue	

## Mat

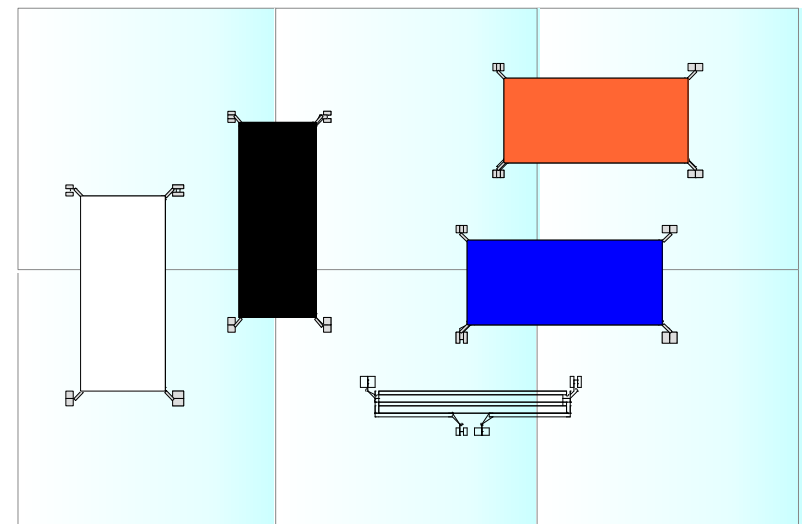
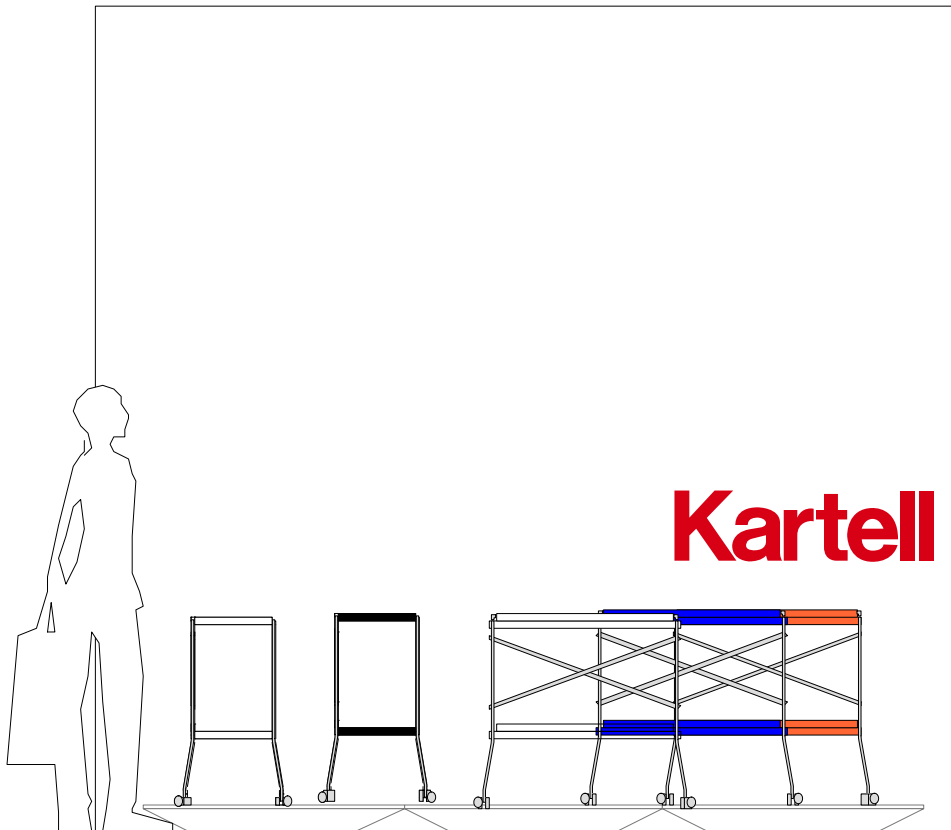
E5/white	
E6/black	

## Material

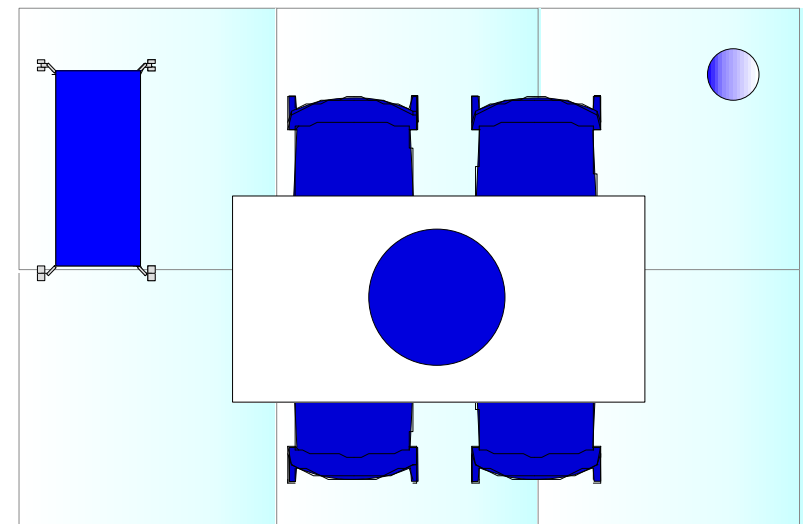
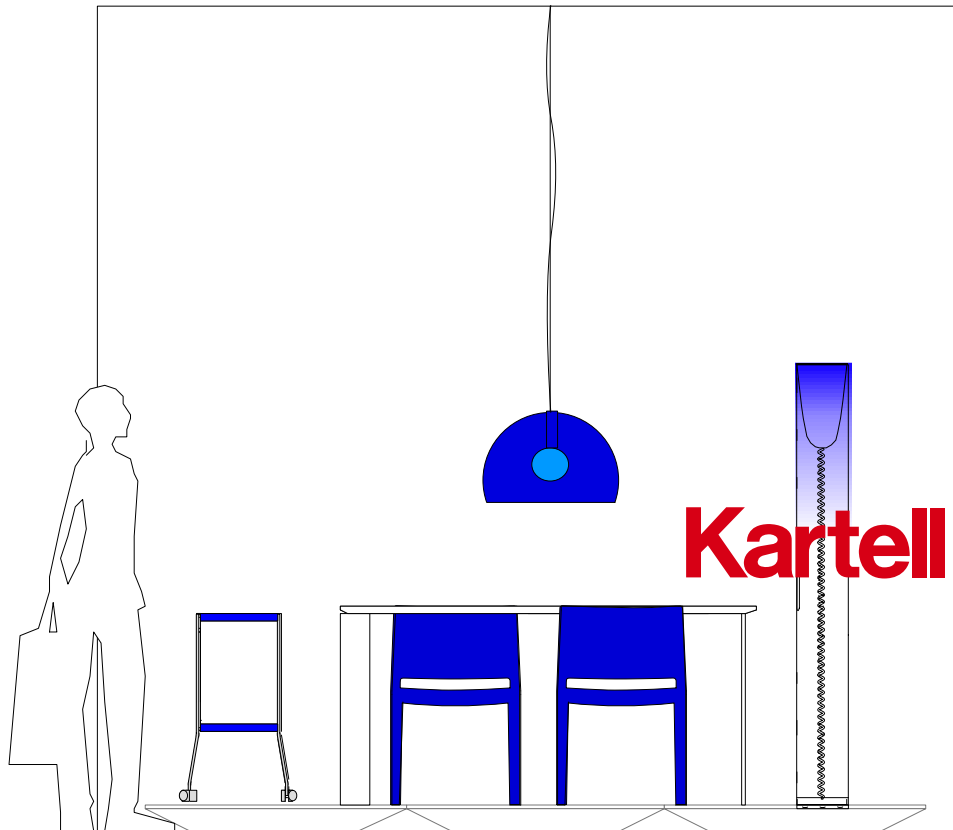
PMMA trays and chromed steel frame

		width	height	depth	weight kg.
4465		80	72	42	11,000
packaging		quantity	weight kg.	volume m <sup>3</sup>	
4465		1	15,000	0,200	

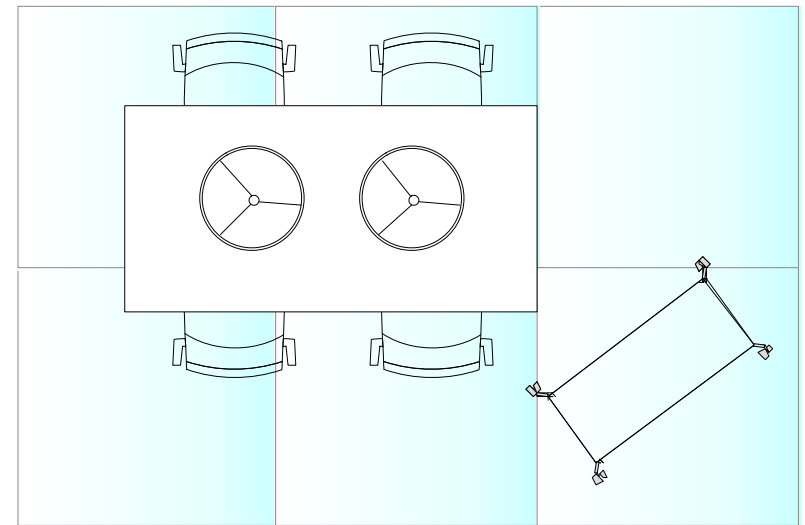
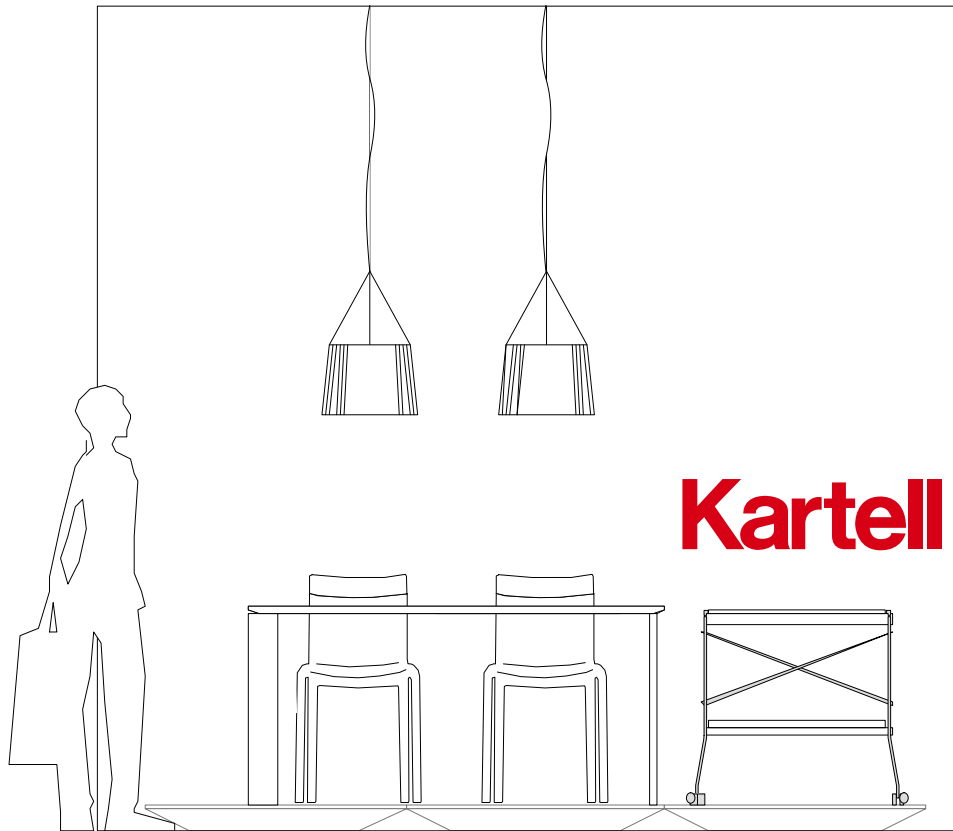
# Layout Podium 1



# Layout Podium 2



# Layout Podium 3



# Layout Podium 4

